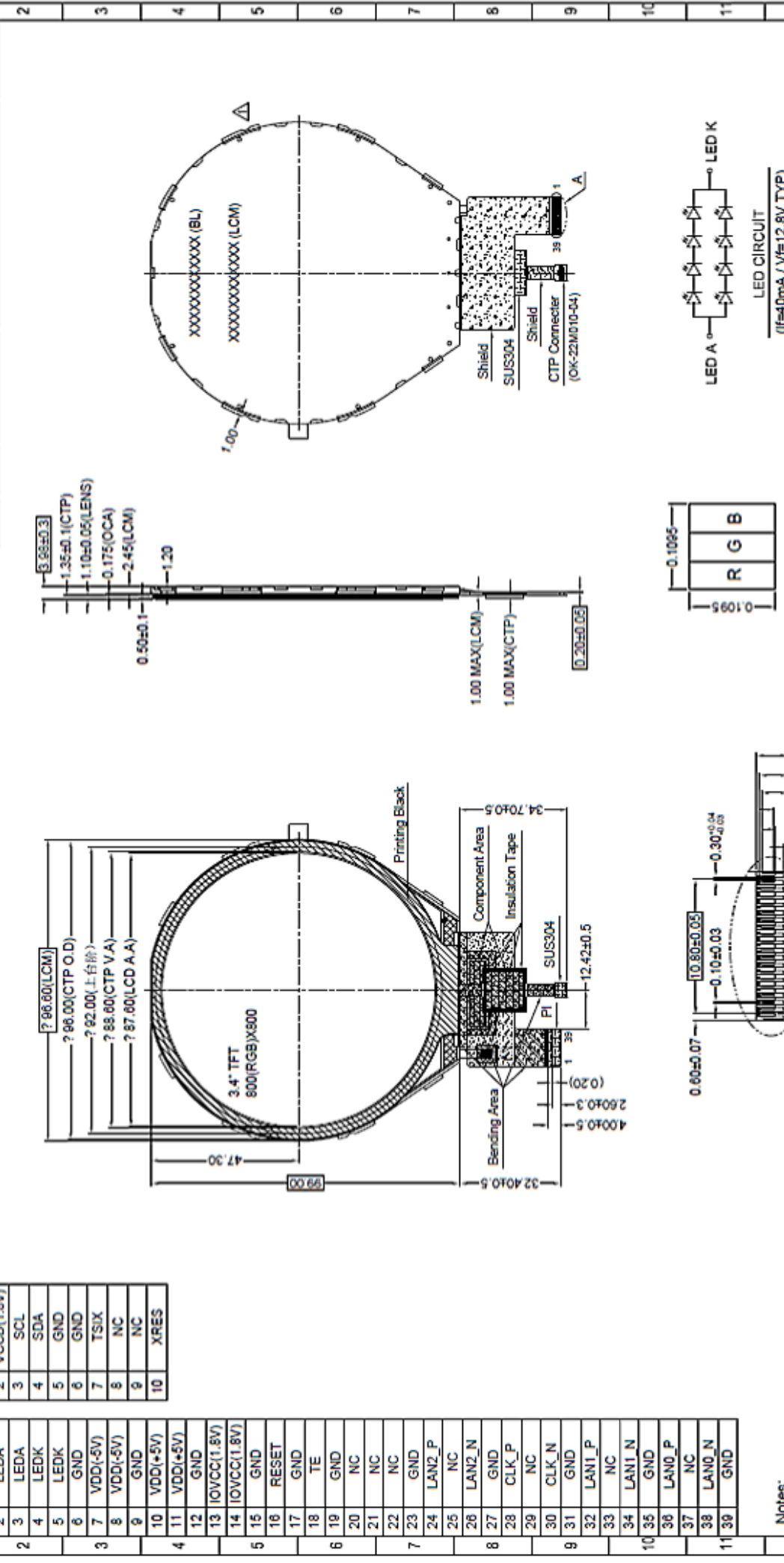


1	2	3	4	5	6	7	8	9	10	11	12	13	14																																																																																																																																																																				
<table border="1"> <tr> <th>LCM</th> <th>Symbol</th> <th>NAME</th> </tr> <tr> <td>1</td> <td>GND</td> <td>VCCA(2.8V)</td> </tr> <tr> <td>2</td> <td>LEDA</td> <td>VCCD(1.8V)</td> </tr> <tr> <td>3</td> <td>LEDA</td> <td>SCL</td> </tr> <tr> <td>4</td> <td>LEDK</td> <td>SDA</td> </tr> <tr> <td>5</td> <td>LEDK</td> <td>GND</td> </tr> <tr> <td>6</td> <td>GND</td> <td>GND</td> </tr> <tr> <td>7</td> <td>VDD(-5V)</td> <td>TSIX</td> </tr> <tr> <td>8</td> <td>VDD(-5V)</td> <td>NC</td> </tr> <tr> <td>9</td> <td>GND</td> <td>NC</td> </tr> <tr> <td>10</td> <td>VDD(+5V)</td> <td>XRES</td> </tr> <tr> <td>11</td> <td>VDD(+5V)</td> <td></td> </tr> <tr> <td>12</td> <td>GND</td> <td></td> </tr> <tr> <td>13</td> <td>IOVCC(1.8V)</td> <td></td> </tr> <tr> <td>14</td> <td>IOVCC(1.8V)</td> <td></td> </tr> <tr> <td>15</td> <td>GND</td> <td></td> </tr> <tr> <td>16</td> <td>RESET</td> <td></td> </tr> <tr> <td>17</td> <td>GND</td> <td></td> </tr> <tr> <td>18</td> <td>TE</td> <td></td> </tr> <tr> <td>19</td> <td>GND</td> <td></td> </tr> <tr> <td>20</td> <td>NC</td> <td></td> </tr> <tr> <td>21</td> <td>NC</td> <td></td> </tr> <tr> <td>22</td> <td>NC</td> <td></td> </tr> <tr> <td>23</td> <td>GND</td> <td></td> </tr> <tr> <td>24</td> <td>LAN2_P</td> <td></td> </tr> <tr> <td>25</td> <td>NC</td> <td></td> </tr> <tr> <td>26</td> <td>LAN2_N</td> <td></td> </tr> <tr> <td>27</td> <td>GND</td> <td></td> </tr> <tr> <td>28</td> <td>CLK_P</td> <td></td> </tr> <tr> <td>29</td> <td>NC</td> <td></td> </tr> <tr> <td>30</td> <td>CLK_N</td> <td></td> </tr> <tr> <td>31</td> <td>GND</td> <td></td> </tr> <tr> <td>32</td> <td>LAN1_P</td> <td></td> </tr> <tr> <td>33</td> <td>NC</td> <td></td> </tr> <tr> <td>34</td> <td>LAN1_N</td> <td></td> </tr> <tr> <td>35</td> <td>GND</td> <td></td> </tr> <tr> <td>36</td> <td>LAN0_P</td> <td></td> </tr> <tr> <td>37</td> <td>NC</td> <td></td> </tr> <tr> <td>38</td> <td>LAN0_N</td> <td></td> </tr> <tr> <td>39</td> <td>GND</td> <td></td> </tr> </table>												LCM	Symbol	NAME	1	GND	VCCA(2.8V)	2	LEDA	VCCD(1.8V)	3	LEDA	SCL	4	LEDK	SDA	5	LEDK	GND	6	GND	GND	7	VDD(-5V)	TSIX	8	VDD(-5V)	NC	9	GND	NC	10	VDD(+5V)	XRES	11	VDD(+5V)		12	GND		13	IOVCC(1.8V)		14	IOVCC(1.8V)		15	GND		16	RESET		17	GND		18	TE		19	GND		20	NC		21	NC		22	NC		23	GND		24	LAN2_P		25	NC		26	LAN2_N		27	GND		28	CLK_P		29	NC		30	CLK_N		31	GND		32	LAN1_P		33	NC		34	LAN1_N		35	GND		36	LAN0_P		37	NC		38	LAN0_N		39	GND		<table border="1"> <tr> <th>CTP</th> <th>PIN</th> <th>NAME</th> </tr> <tr> <td>1</td> <td>VCCA</td> <td>(2.8V)</td> </tr> <tr> <td>2</td> <td>VCCD</td> <td>(1.8V)</td> </tr> <tr> <td>3</td> <td>SCL</td> <td></td> </tr> <tr> <td>4</td> <td>SDA</td> <td></td> </tr> <tr> <td>5</td> <td>GND</td> <td></td> </tr> <tr> <td>6</td> <td>GND</td> <td></td> </tr> <tr> <td>7</td> <td>TSIX</td> <td></td> </tr> <tr> <td>8</td> <td>NC</td> <td></td> </tr> <tr> <td>9</td> <td>NC</td> <td></td> </tr> <tr> <td>10</td> <td>XRES</td> <td></td> </tr> </table>		CTP	PIN	NAME	1	VCCA	(2.8V)	2	VCCD	(1.8V)	3	SCL		4	SDA		5	GND		6	GND		7	TSIX		8	NC		9	NC		10	XRES		<table border="1"> <tr> <th>DOEC NUMBER</th> <th>DESCRIPTION</th> <th>DATE</th> </tr> <tr> <td>XXXXXXXXXX</td> <td>NEW ISSUE</td> <td>2016.01.28</td> </tr> <tr> <td>XXXXXXXXXX</td> <td>UPDATE BL</td> <td>2016.03.30</td> </tr> </table>		DOEC NUMBER	DESCRIPTION	DATE	XXXXXXXXXX	NEW ISSUE	2016.01.28	XXXXXXXXXX	UPDATE BL	2016.03.30
LCM	Symbol	NAME																																																																																																																																																																															
1	GND	VCCA(2.8V)																																																																																																																																																																															
2	LEDA	VCCD(1.8V)																																																																																																																																																																															
3	LEDA	SCL																																																																																																																																																																															
4	LEDK	SDA																																																																																																																																																																															
5	LEDK	GND																																																																																																																																																																															
6	GND	GND																																																																																																																																																																															
7	VDD(-5V)	TSIX																																																																																																																																																																															
8	VDD(-5V)	NC																																																																																																																																																																															
9	GND	NC																																																																																																																																																																															
10	VDD(+5V)	XRES																																																																																																																																																																															
11	VDD(+5V)																																																																																																																																																																																
12	GND																																																																																																																																																																																
13	IOVCC(1.8V)																																																																																																																																																																																
14	IOVCC(1.8V)																																																																																																																																																																																
15	GND																																																																																																																																																																																
16	RESET																																																																																																																																																																																
17	GND																																																																																																																																																																																
18	TE																																																																																																																																																																																
19	GND																																																																																																																																																																																
20	NC																																																																																																																																																																																
21	NC																																																																																																																																																																																
22	NC																																																																																																																																																																																
23	GND																																																																																																																																																																																
24	LAN2_P																																																																																																																																																																																
25	NC																																																																																																																																																																																
26	LAN2_N																																																																																																																																																																																
27	GND																																																																																																																																																																																
28	CLK_P																																																																																																																																																																																
29	NC																																																																																																																																																																																
30	CLK_N																																																																																																																																																																																
31	GND																																																																																																																																																																																
32	LAN1_P																																																																																																																																																																																
33	NC																																																																																																																																																																																
34	LAN1_N																																																																																																																																																																																
35	GND																																																																																																																																																																																
36	LAN0_P																																																																																																																																																																																
37	NC																																																																																																																																																																																
38	LAN0_N																																																																																																																																																																																
39	GND																																																																																																																																																																																
CTP	PIN	NAME																																																																																																																																																																															
1	VCCA	(2.8V)																																																																																																																																																																															
2	VCCD	(1.8V)																																																																																																																																																																															
3	SCL																																																																																																																																																																																
4	SDA																																																																																																																																																																																
5	GND																																																																																																																																																																																
6	GND																																																																																																																																																																																
7	TSIX																																																																																																																																																																																
8	NC																																																																																																																																																																																
9	NC																																																																																																																																																																																
10	XRES																																																																																																																																																																																
DOEC NUMBER	DESCRIPTION	DATE																																																																																																																																																																															
XXXXXXXXXX	NEW ISSUE	2016.01.28																																																																																																																																																																															
XXXXXXXXXX	UPDATE BL	2016.03.30																																																																																																																																																																															



12	<p>Notes:</p> <ol style="list-style-type: none"> LCM Display Type: A-Si SFT; CTP: GFF LCM Drive IC: IL9881C; CTP Drive IC: HX8526-E30 View Direction: ALL LCM Matched Connector: FH26W-39S-0.3SHW CTP Matched Connector: OK-22FD10-04 General Tolerance: ±0.2 Operation Temp: -20°~+70°C Storage Temp: -30°~+80°C Requirements on Environment Protection: Q/S0002 																			
13	<table border="1"> <tr> <th>CONTROL DIMENSION</th> <th>2D Rev.</th> <th>3D Rev.</th> </tr> <tr> <td></td> <td></td> <td></td> </tr> <tr> <td>APPROVED:</td> <td>2016.03.30</td> <td>PRODUCT NUMBER</td> </tr> <tr> <td>EE CHECKED:</td> <td>2016.03.30</td> <td>PART NAME:</td> </tr> <tr> <td>ME CHECKED:</td> <td>2016.03.30</td> <td>DRAWING NUMBER</td> </tr> <tr> <td>DESIGNED:</td> <td>2016.03.30</td> <td>MATERIAL NUMBER:</td> </tr> </table>		CONTROL DIMENSION	2D Rev.	3D Rev.				APPROVED:	2016.03.30	PRODUCT NUMBER	EE CHECKED:	2016.03.30	PART NAME:	ME CHECKED:	2016.03.30	DRAWING NUMBER	DESIGNED:	2016.03.30	MATERIAL NUMBER:
CONTROL DIMENSION	2D Rev.	3D Rev.																		
APPROVED:	2016.03.30	PRODUCT NUMBER																		
EE CHECKED:	2016.03.30	PART NAME:																		
ME CHECKED:	2016.03.30	DRAWING NUMBER																		
DESIGNED:	2016.03.30	MATERIAL NUMBER:																		
14	<table border="1"> <tr> <td>DISVUE</td> <td>DVT-034-BW-XVZP01-00</td> <td>LCM+CTP</td> <td>YGTT1-01</td> </tr> <tr> <td>3rd ANGLE</td> <td>UNIT</td> <td>SCALE</td> <td>PAGE</td> </tr> <tr> <td></td> <td>mm</td> <td>1:1</td> <td>1/1</td> </tr> </table>		DISVUE	DVT-034-BW-XVZP01-00	LCM+CTP	YGTT1-01	3rd ANGLE	UNIT	SCALE	PAGE		mm	1:1	1/1						
DISVUE	DVT-034-BW-XVZP01-00	LCM+CTP	YGTT1-01																	
3rd ANGLE	UNIT	SCALE	PAGE																	
	mm	1:1	1/1																	